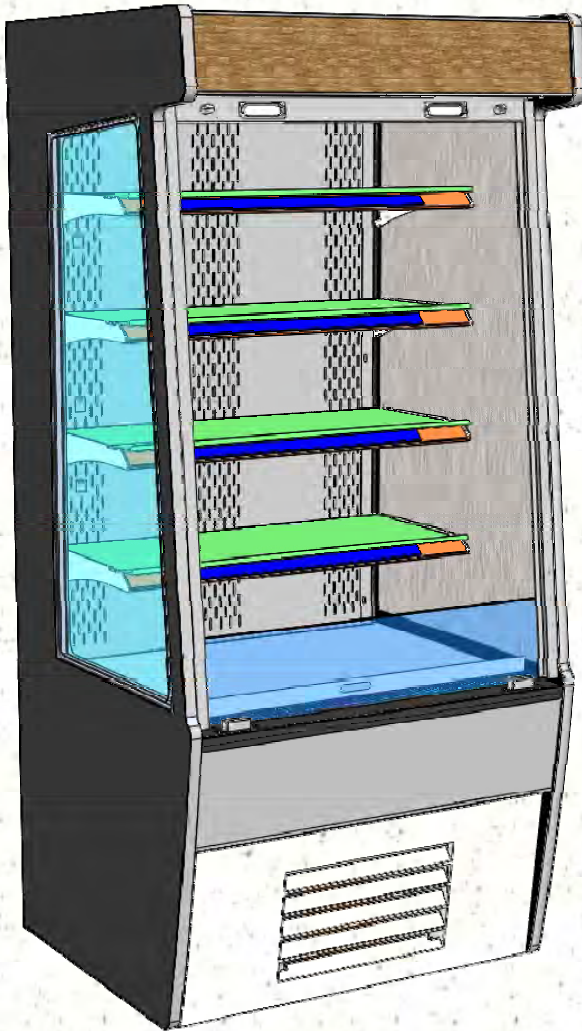




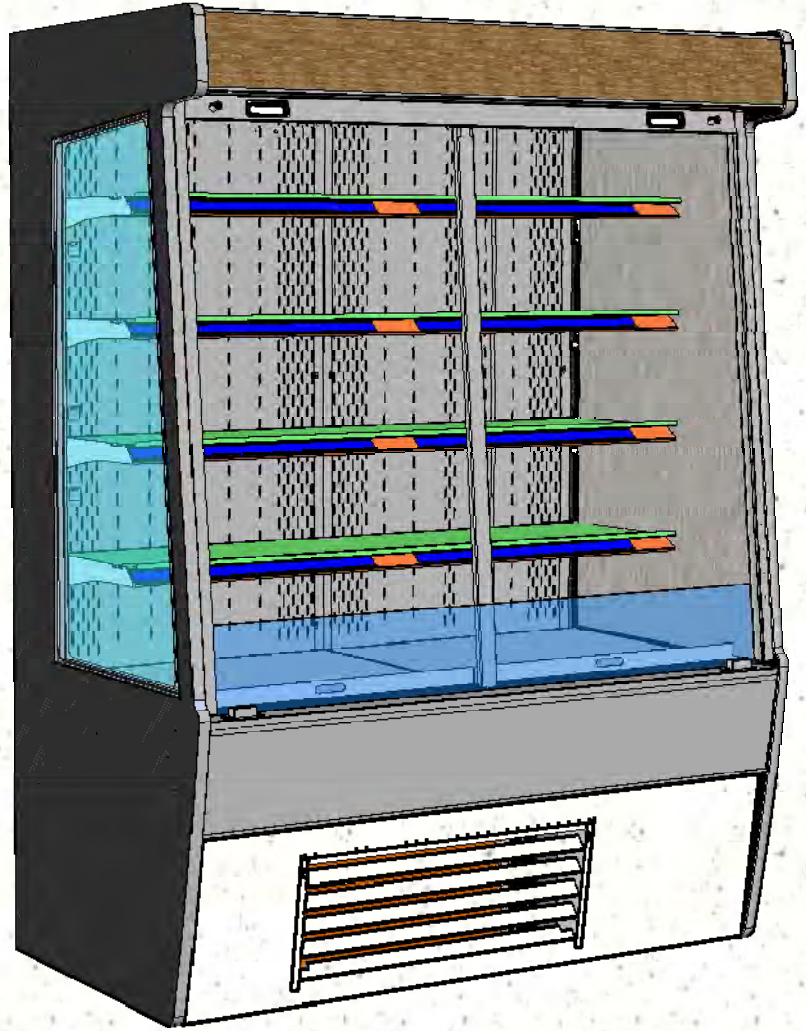
# INSTALLATION AND OPERATING MANUAL

P/N 20-26480

MOBILE NON-REFRIGERATED SELF-SERVICE MERCHANDISER  
 > ROLL-DOWN SECURITY DOORS ARE OPTIONAL ON ALL UNITS



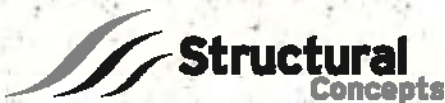
Model CO37 Shown With Optional Roll-Down Security Door



Model CO57 Shown With Optional Roll-Down Security Door

MODEL CO37.....	36 1/4" L* x 33 1/4" D x 81" H^		MODEL CO57.....	59 1/4" L* x 33 1/4" D x 81" H^
MODEL CO47.....	47 1/4" L* x 33 1/4" D x 81" H^		MODEL CO67.....	71 1/4" L* x 33 1/4" D x 81" H^

\*Includes End Panels. ^With Levelers Extended 1 1/4" From Base Frame



888 E. Porter Road · Muskegon, MI 49441 Phone: 231.798.8888 Fax: 231.798.4960 www.structuralconcepts.com

## TABLE OF CONTENTS

SHIPMENT CONDITION / DAMAGE DURING DELIVERY or UNCRATING / SHORTAGES .....	3
OVERVIEW / COMPLIANCE / WARNINGS / PRECAUTIONS / WIRING DIAGRAM / CORDS & PLUGS .....	4
CASE REMOVAL FROM SKID [CASTERS OR LEVELERS] .....	5
POSITIONING & ALIGNING CASE / ADJUSTING LEVELERS / CASTERS / FRAME SUPPORT RAILS .....	6
ELECTRICAL SETUP / MERCHANDISER START-UP .....	7
LIGHT FIXTURES [STANDARD vs. LED STYLE] .....	8
OPTIONAL ROLL DOWN SECURITY DOOR [SEE NEXT PAGE FOR EXTENDED DOOR] .....	9
OPTIONAL ROLL DOWN SECURITY DOOR [SEE PREVIOUS PAGE FOR RETRACTED DOOR] ...	10
STIFFENER [FOR OPTIONAL ROLL DOWN SECURITY DOOR] & STIFFENER BRACKETS .....	11
MAINTENANCE FUNDAMENTALS: BOLTING ADJOINED UNITS .....	12
MAINTENANCE FUNDAMENTALS: SHELF ASSEMBLY / SHELVES / LIGHT FIXTURE .....	13
MAINTENANCE FUNDAMENTALS: BALLAST ACCESS .....	14
SERIAL LABEL & LOCATION / TECHNICAL INFORMATION / ADDITIONAL INFORMATION .....	15
CLEANING SCHEDULE / TROUBLESHOOTING .....	16
TECHNICAL SERVICE CONTACT INFORMATION & WARRANTY INFORMATION .....	17

## **1. Shipment Condition**

- Before and during unloading check all equipment for damage.

## **2. Damage Discovered During Delivery**

- 3rd Party Carrier: Describe damage on freight bill and obtain signature of driver. Carrier will supply necessary claim forms. If these steps are not taken, carrier may refuse your claim.
- Prepaid and Add: Contact carrier (and follow same procedure as with 3rd party carrier). Also contact Structural Concepts at 1-800-433-9489.

## **3. Damage Discovered After Uncrating**

- 3rd Party Carrier: Contact carrier within 10 days of delivery for their procures; retain all packaging. If these steps are not taken, carrier may refuse your claim.
- Prepaid and Add: Contact carrier (and follow same procedure as with 3rd party carrier). Also contact Structural Concepts at 1-800-433-9489 within 10 days of delivery.

## **4. Shortages**

- If a shortage exists (and it is the responsibility of Structural Concepts) call 1-800-433-9489. Structural Concepts will acknowledge shortages within 10 days from receipt of equipment.
- If a shortage involves the carrier, notify carrier immediately and request an inspection.

**OVERVIEW**

- These cases should be installed and operated according to these instructions to ensure proper performance. Improper use will void warranty.
- This unit is designed for the display of products in ambient store conditions where temperatures and humidity are maintained at a maximum of 75 °F and 55% relative humidity.

**COMPLIANCE**

- Performance issues when in violation of applicable NEC, federal, state or local electrical codes are not covered by warranty.
- See compliance specifics below.

**WARNINGS**

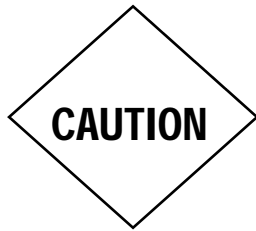
- Following are important warnings to prevent injury or death.
- Please read carefully!

**PRECAUTIONS**

- Following are important precautions to prevent damage to unit or merchandise.
- Please read carefully!

**WIRING DIAGRAM**

- Each case has wiring diagram in its own packet.
- Wiring diagram placement may vary; it may be placed near ballast box, field wiring box, raceway cover, or other related location.



**CAUTION! LAMP REPLACEMENT GUIDELINES**  
Fluorescent lamps have been treated to resist breakage and must be replaced with similarly treated lamps.  
If LED lamps are used, they must be size, shape and overall design.  
Any replacements must meet factory specifications.

**COMPLIANCE**  
This equipment **MUST** be installed in compliance with all applicable NEC, federal, state and local electrical and plumbing codes.

**WARNING**  
Risk of electric shock.  
*Disconnect ALL ELECTRICAL SOURCES before servicing.*

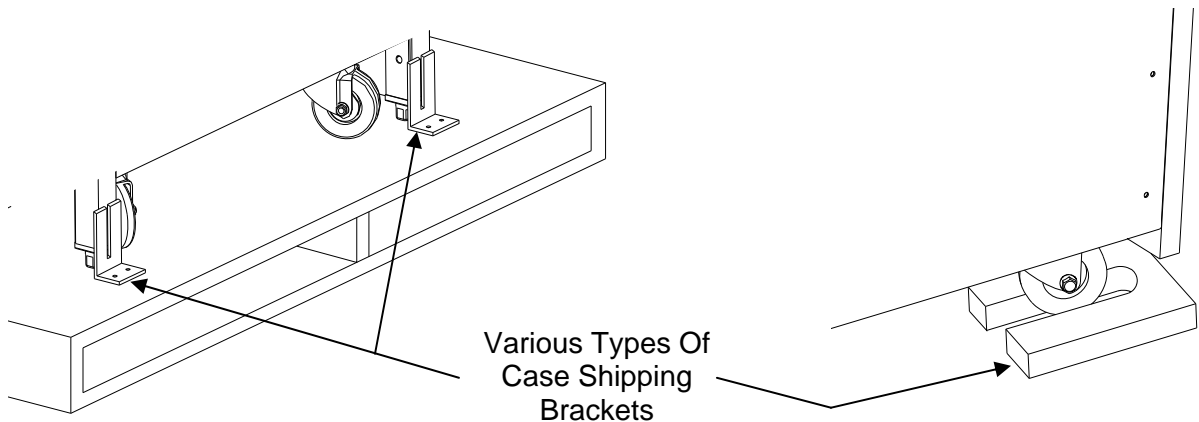
**CAUTION! GFCI BREAKER USE REQUIREMENT**  
If N.E.C. (National Electric Code) or your local code requires GFCI (Ground Fault Circuit Interrupter) protection, you **MUST** use a GFCI breaker in lieu of a GFCI receptacle.

**CAUTION! POWER CORD AND PLUG MAINTENANCE**  
Risk of electric shock. If cord or plug becomes damaged, replace only with cord and plug of same type.

## SHIPPING BRACKETS / CASE REMOVAL FROM SKID [CASTERS or LEVELERS]

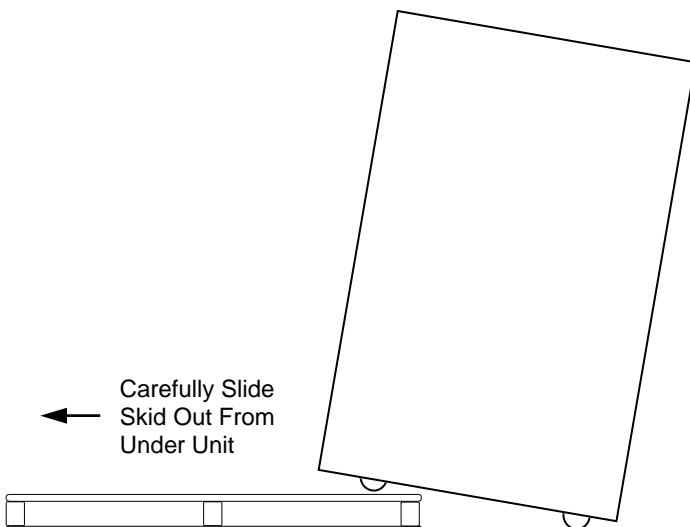
### **1. Removing Case Shipping Brackets That Are Attached To Skid**

- Remove screws holding Case Shipping Brackets to skid.
- Remove Case Shipping Brackets from Skid.
- See illustrations below. Note: Shipping Brackets will vary in size, shape, material and location depending upon case type and model.



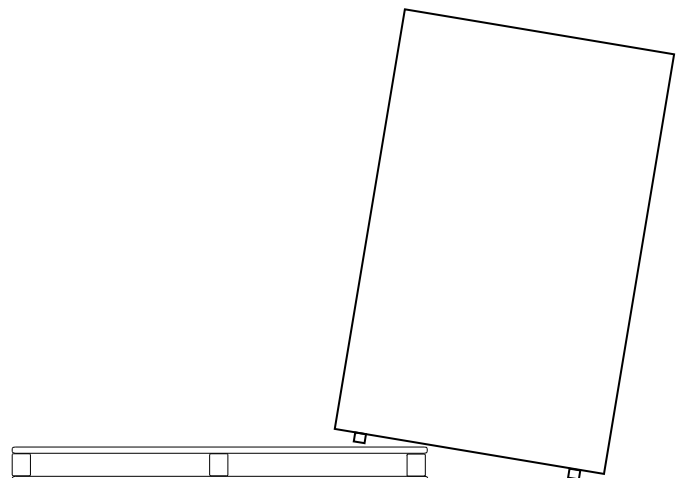
### **2. Remove Case [With Casters] From Skid**

- A. Place ramp up against skid (to allow case to smoothly slide off from skid).
  - B. Maintain support of case at all times or center of gravity may cause case to fall.
  - C. Unlock Casters. Slide unit to rear of skid. Slide down ramp and off from skid.
- Note: Illustrations reflect general outline of sample case and may not reflect your particular model or options).



### **3. Remove Unit From Skid [Levelers]**

- **Caution!** To prevent damage, support case while sliding skid out from under case.
- Note: Illustration below reflects general outline of sample case and does not reflect any particular model or options).





### 1. Positioning & Aligning Case

- Before adjusting levelers, make certain that the case is in proper position and, if required, aligned with adjoining case(s).
- This may require repositioning of the case you are installing or the already positioned case.

### 2. Adjust Levelers

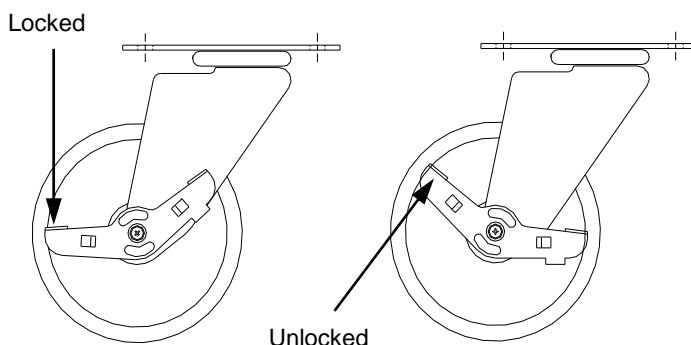
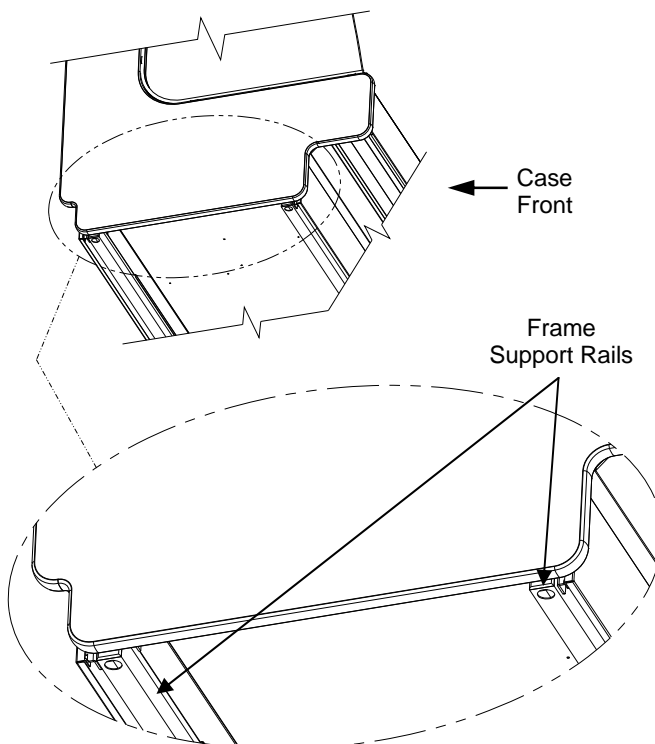
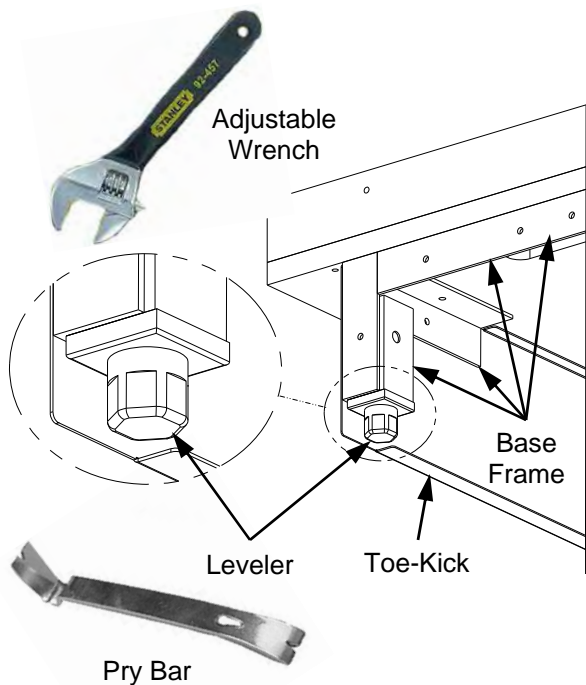
- After case is in proper position, adjust case so it is level and plumb (see illustration at right).
- You may need to remove front and/or rear Toe-Kick to access levelers.
- Use adjustable wrench to adjust leveler (it may also be necessary to use a pry bar).
- Do not use Pry Bar on Toe-Kick as it may buckle.
- Do not use Pry Bar on End Panel; it may chip.
- Use Pry Bar **ONLY** on Base Frame to avoid damaging case.
- See illustration and photos below.

### 3. Caster Locking Operation

- Your casters may have locking mechanism.
- If so, to lock casters push down on lever, to unlock pull up the lever all the way.
- See illustration at lower-right.

### 4. Frame Support Rails

- Illustration below-left shows case with frame support rails.
- Shims will be provided with all cases that have frame support rails.
- Use shims to level case.
- **Note: After case is in position, it must be sealed to floor to prevent entry or leakage of liquid or moisture.**
- See illustrations below.



## ELECTRICAL SETUP / LIGHTS START-UP

### 1. Electrical Setup

- **With Power Cord:**
  - **For your safety, equipment is furnished with a properly grounded cord connector. Do not attempt to defeat the grounded connector.**
  - Plug cord into certified electrical outlet with ground. See Overview/Warnings sheet for more specifics.
- **Without Power Cord:**

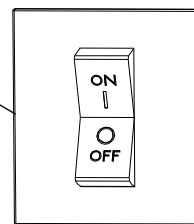
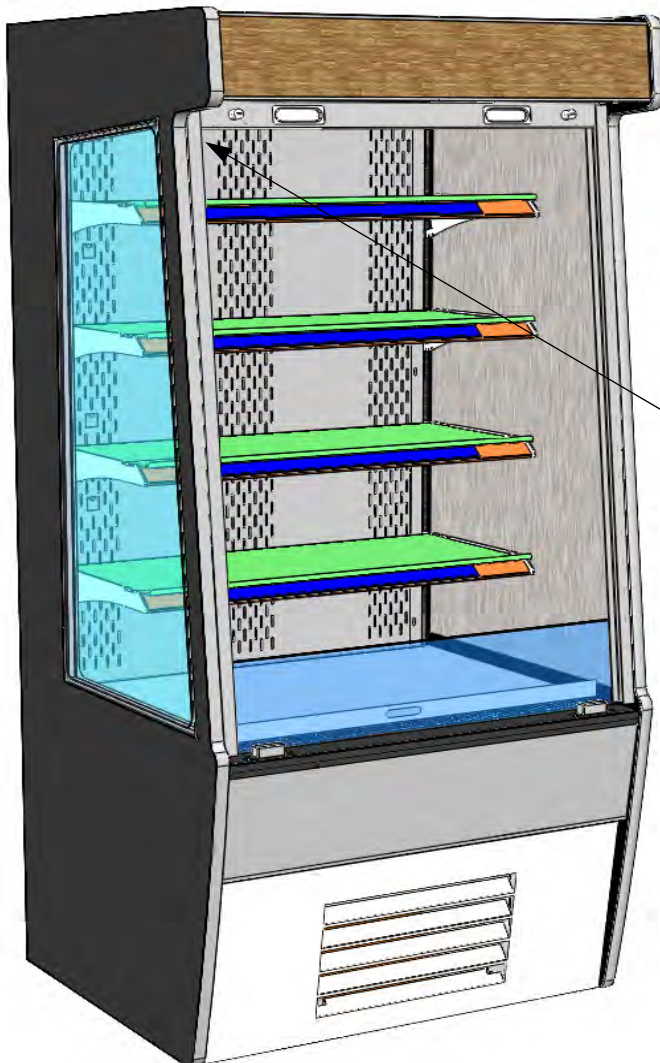
**Note:** Servicing to be accomplished by a certified electrical contractor.

  - **Electrical Leads**
    - Remove cover from the left lower rear of the unit.
    - Electrical leads connections are provided in the junction box.

### 2. Lights Start-Up

- A. Lights may energize when properly field-wired.
  - B. Or, lights may need to be turned on. Depending upon model, light switch will likely be in upper plenum [at top left of case] or just above top-left shelf.
- See illustration at left.
  - All lights should come on at the same time. First time lighting may require a short warm-up period for the bulbs. Slightly dim or a flickering of new bulbs is normal. If lights do not turn on, check all of the plug connections.

>> See **LIGHT FIXTURES [STANDARD vs. LED STYLE]** section in this manual for additional information on lights.



Light Switch

## LIGHT FIXTURES [STANDARD vs. LED STYLE]

### 1. Standard T-8 Fluorescent Style Light Fixtures

#### *Removal of lamps:*

- Grasp lamp firmly and carefully pull downward and out from socket.
- See photos at mid-right.

#### *Installation of lamp:*

- Align pins with slot.
- Insert pins into socket and push upward into place.
- See photos at mid-right.



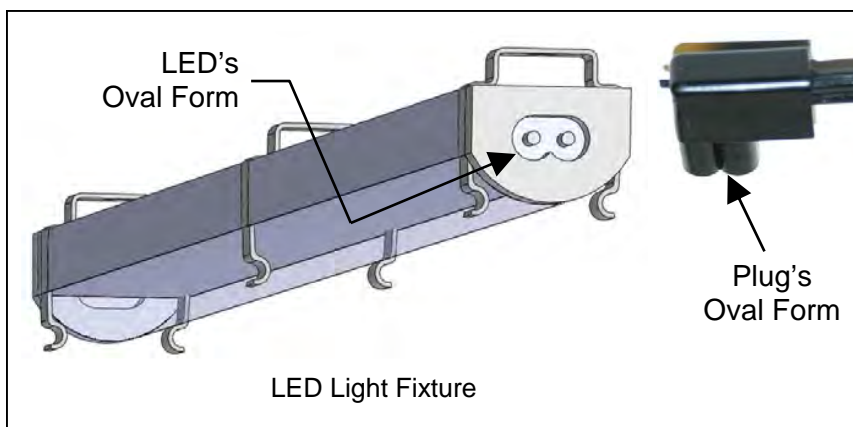
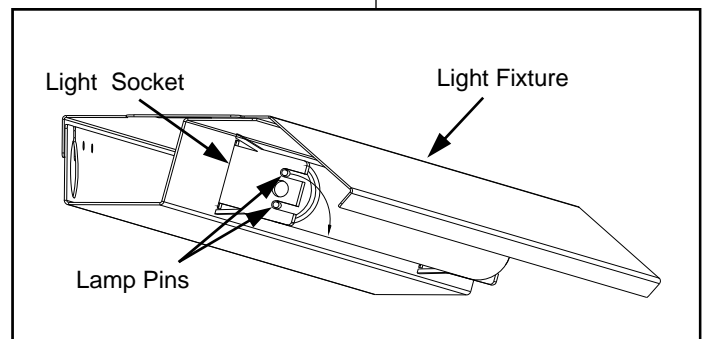
### 2. LED Style Light Fixtures [Optional]

#### *Removal of lamp:*

- If case is provided with LED lights, they will rarely require change-out.
- Contact Structural Concepts' Technical Service Department for replacement parts (see the Technical Service section of operating manual).

#### *Replacement of lamp:*

- To replace LED Light Fixture, simply disconnect the existing LED light from its brackets and/or self-adhesive tape. Replace.
- **Note:** LED Light and Plug must be connected in a specific manner or they will not work.
- Make certain flat edge of plug connects to flat edge of LED light.
- See illustrations below.

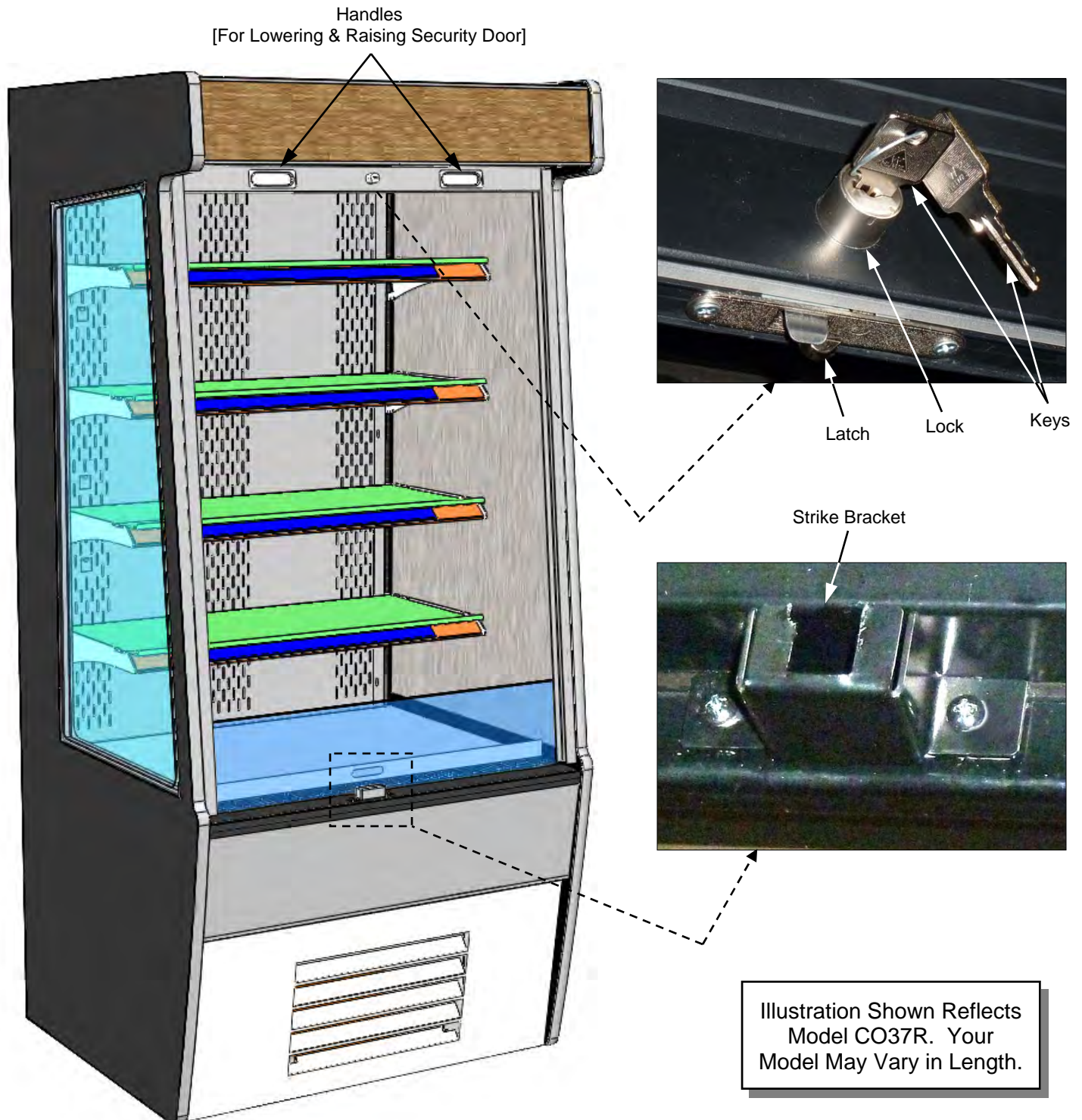




## OPTIONAL ROLL DOWN SECURITY DOOR [SEE NEXT PAGE FOR EXTENDED DOOR]

### ***Roll Down Security Door (Optional): Shown Retracted***

- Optional roll down security door has two handles for grasping, lowering and raising.
- After door is lowered, key may be turned clockwise to lock latch into strike bracket.
- Turn counter-clockwise to unlock.
- Keep keys in safe and secure place.

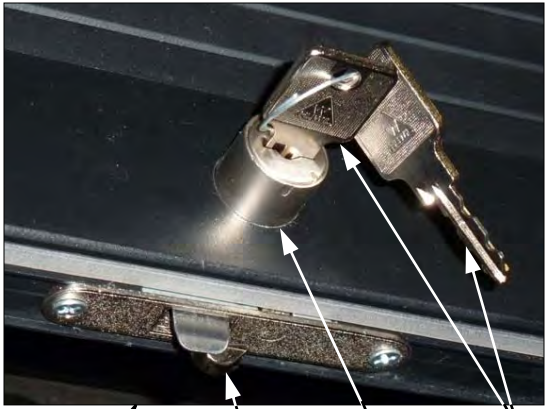


**OPTIONAL ROLL DOWN SECURITY DOOR [SEE PREVIOUS PAGE FOR RETRACTED DOOR]**

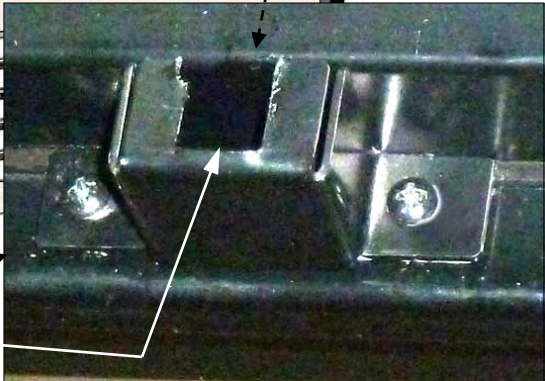
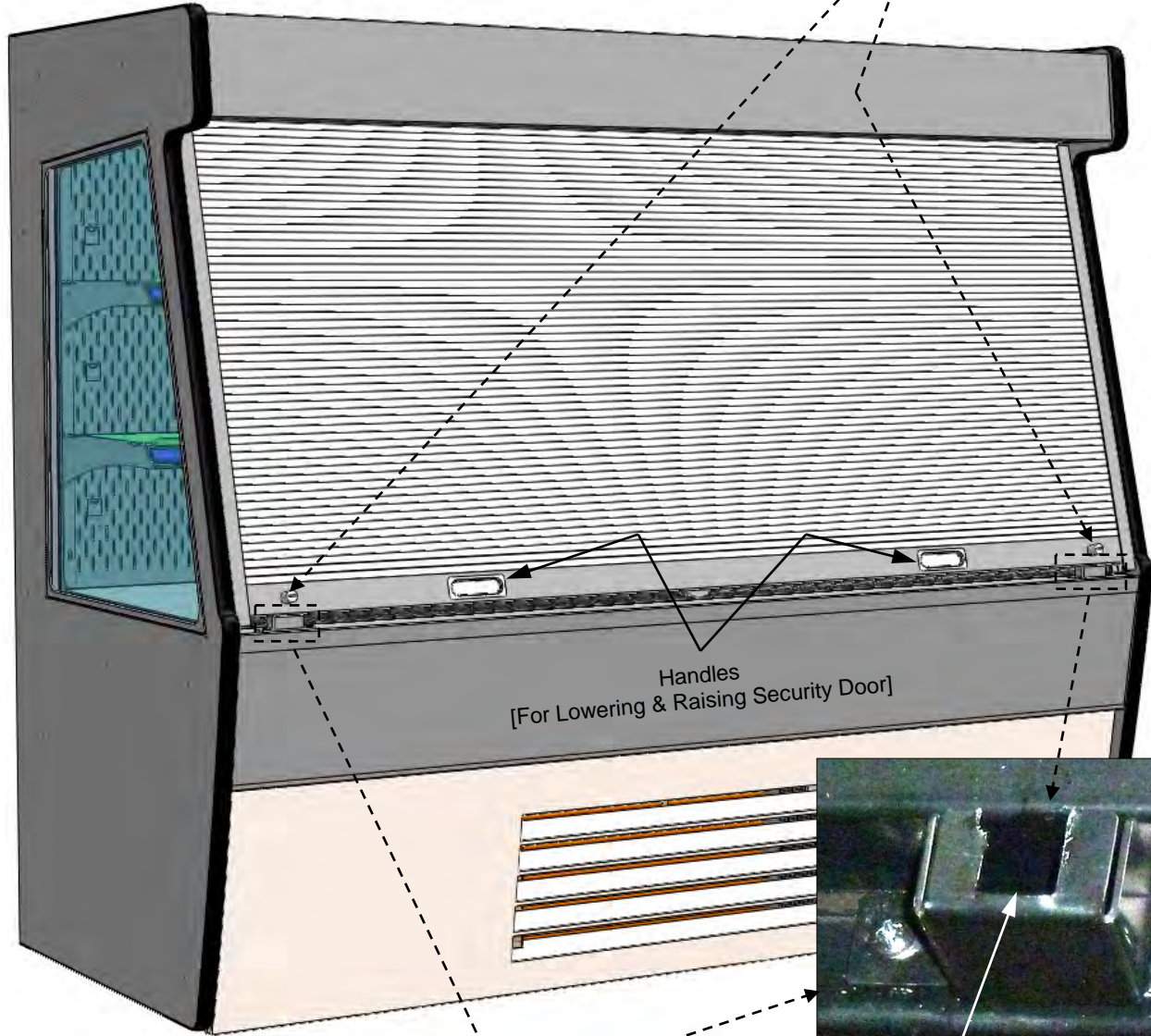
***Roll Down Security Door (Optional): Shown Extended***

- Optional roll down security door has two handles for grasping, lowering and raising.
- After door is lowered, key may be turned clockwise to lock latch into strike bracket.
- Turn counter-clockwise to unlock.
- Keep keys in safe and secure place.
- See **STIFFENER [FOR OPTIONAL ROLL DOWN SECURITY DOOR]: PURPOSE / REMOVABILITY** section on next page.

Illustration Shown Reflects Model CO75R.  
Your Model May Vary in Length and Height.



Latch      Lock      Keys





# STIFFENER [FOR OPTIONAL ROLL DOWN SECURITY DOOR] & STIFFENER BRACKETS

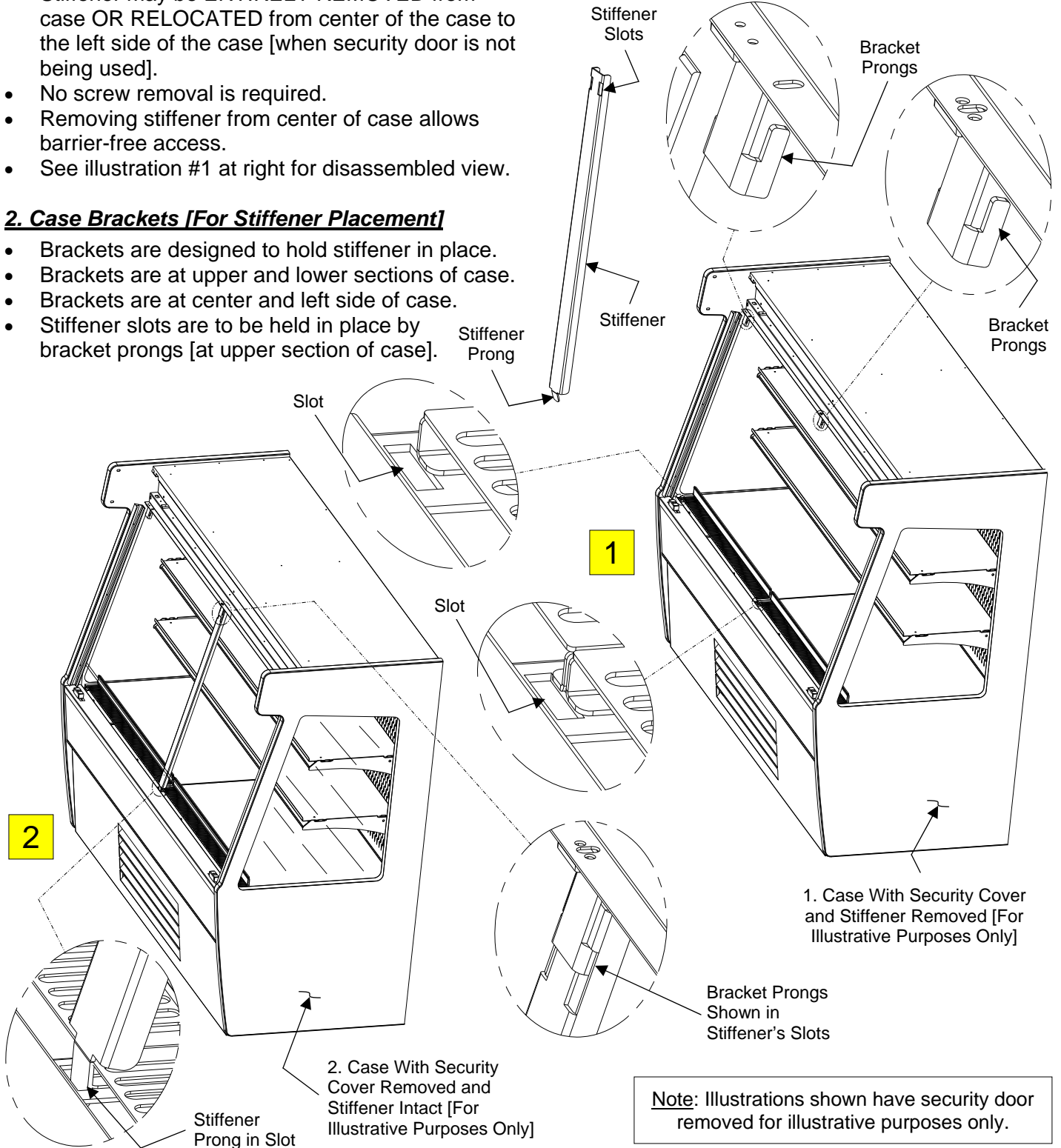
## 1. Stiffener [For Optional Roll Down Security Door]

- Due to its size and weight, the optional roll down security door has a stiffener provided for support.
- Stiffener may be ENTIRELY REMOVED from case OR RELOCATED from center of the case to the left side of the case [when security door is not being used].
- No screw removal is required.
- Removing stiffener from center of case allows barrier-free access.
- See illustration #1 at right for disassembled view.

- Stiffener prong is to be held in place by bracket slots [at lower section of case].
- See illustration #2, below-left, for view of stiffener at center position of case.

## 2. Case Brackets [For Stiffener Placement]

- Brackets are designed to hold stiffener in place.
- Brackets are at upper and lower sections of case.
- Brackets are at center and left side of case.
- Stiffener slots are to be held in place by bracket prongs [at upper section of case].



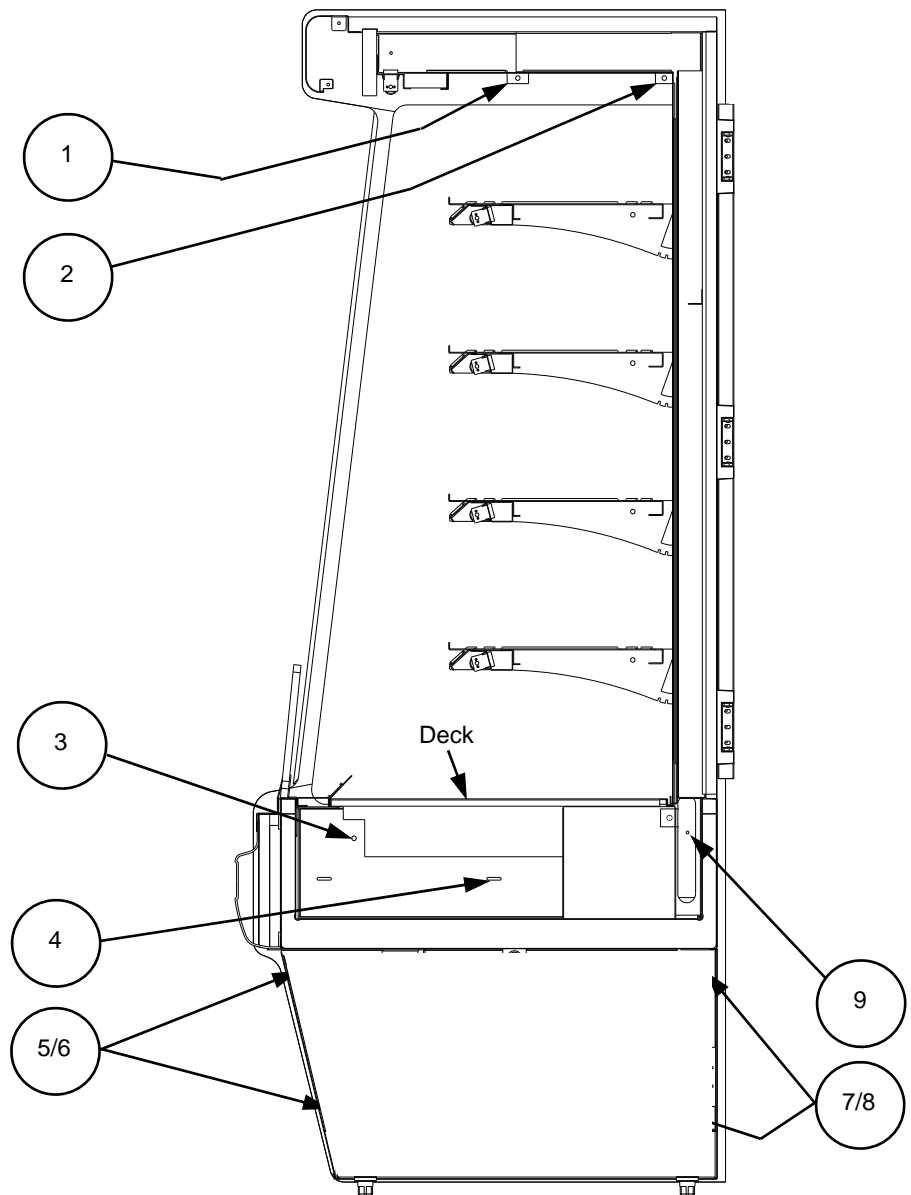
## MAINTENANCE FUNDAMENTALS: BOLTING ADJOINED UNITS

### **Bolting Adjoined Units**

Note: Your model's features or options may slightly vary.

- Bolt Holes are at 9 locations:
- Use 1/4-20 x 1.00" bolts and accompanying nuts for holes 1-4 and 9.

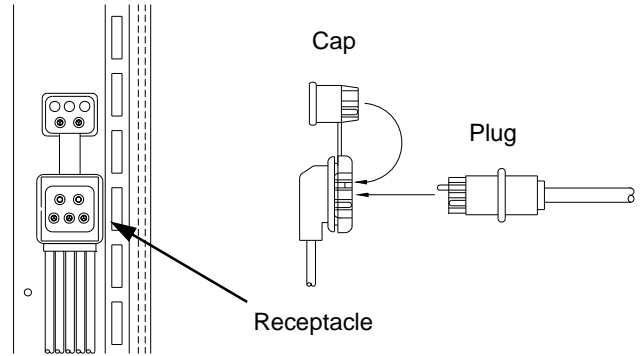
- Use #8-32 x .37" bolts and accompanying nuts for holes 5-8.
- Remove deck pan assembly to access holes 3, 4, 9.



Note:  
Illustration Shown May Not  
Exactly Reflect Every  
Feature or Option of Your  
Particular Case

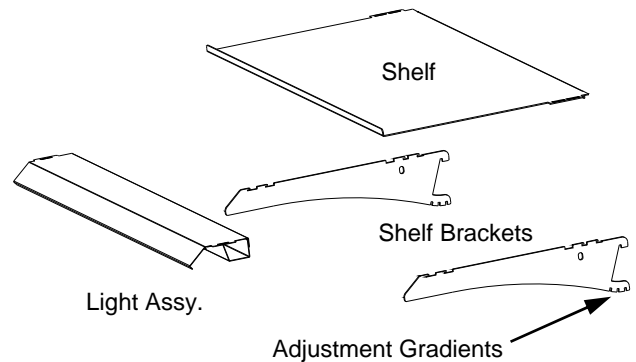
**1. Shelf Assembly Removal**

- Shelves can be removed for maintenance, cleaning or adjustments
- Slide shelf back about 1/8 inch and rotate front up while lifting shelf assembly.
- For lighted shelving, unplug the light cord.
- Slide light assembly back about 1/8 inch and rotate front up while lifting light assembly.
- Remove brackets. Note it may be necessary to remove the nylon shipping bracket retainer. Pliers will be required to accomplish this task.



**2. Adjustable Shelves**

- Adjustment of the angle of the shelf can be made, not the position.
- Adjustments to the shelves can be made by pivoting the lower portion of the shelf bracket in the upright.
- The shelves can be adjusted to an angle of: 0, 5, and 10 degrees.



**3. Light Fixture**

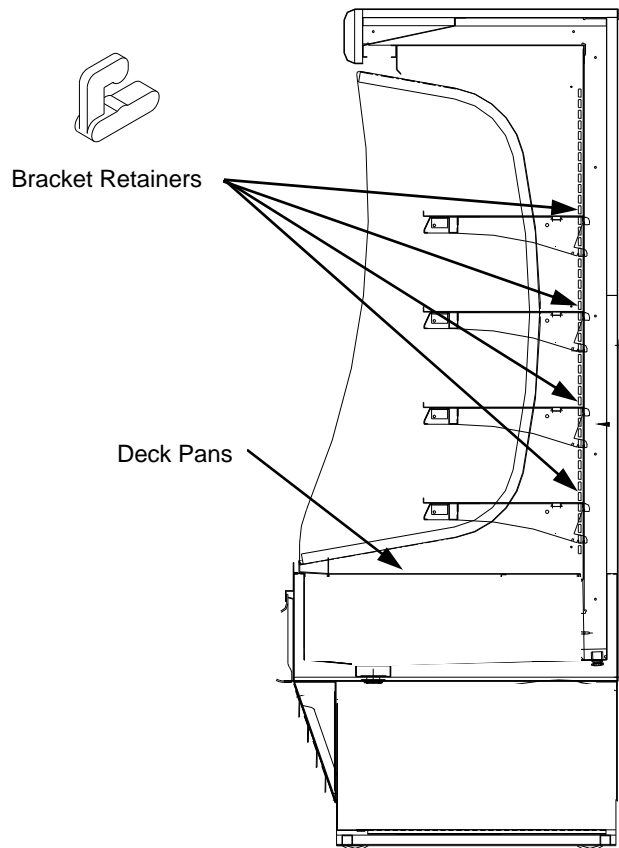
Fixtures are located on the underside of each shelf assembly and at the top inside of case.

Removal of lamp:

- Rotate lamp (1/4 turn) and remove bulb.

Installation of lamp:

- Align pins with slot.
- Insert pins into socket and rotate 1/4 turn to secure pin contacts in socket.



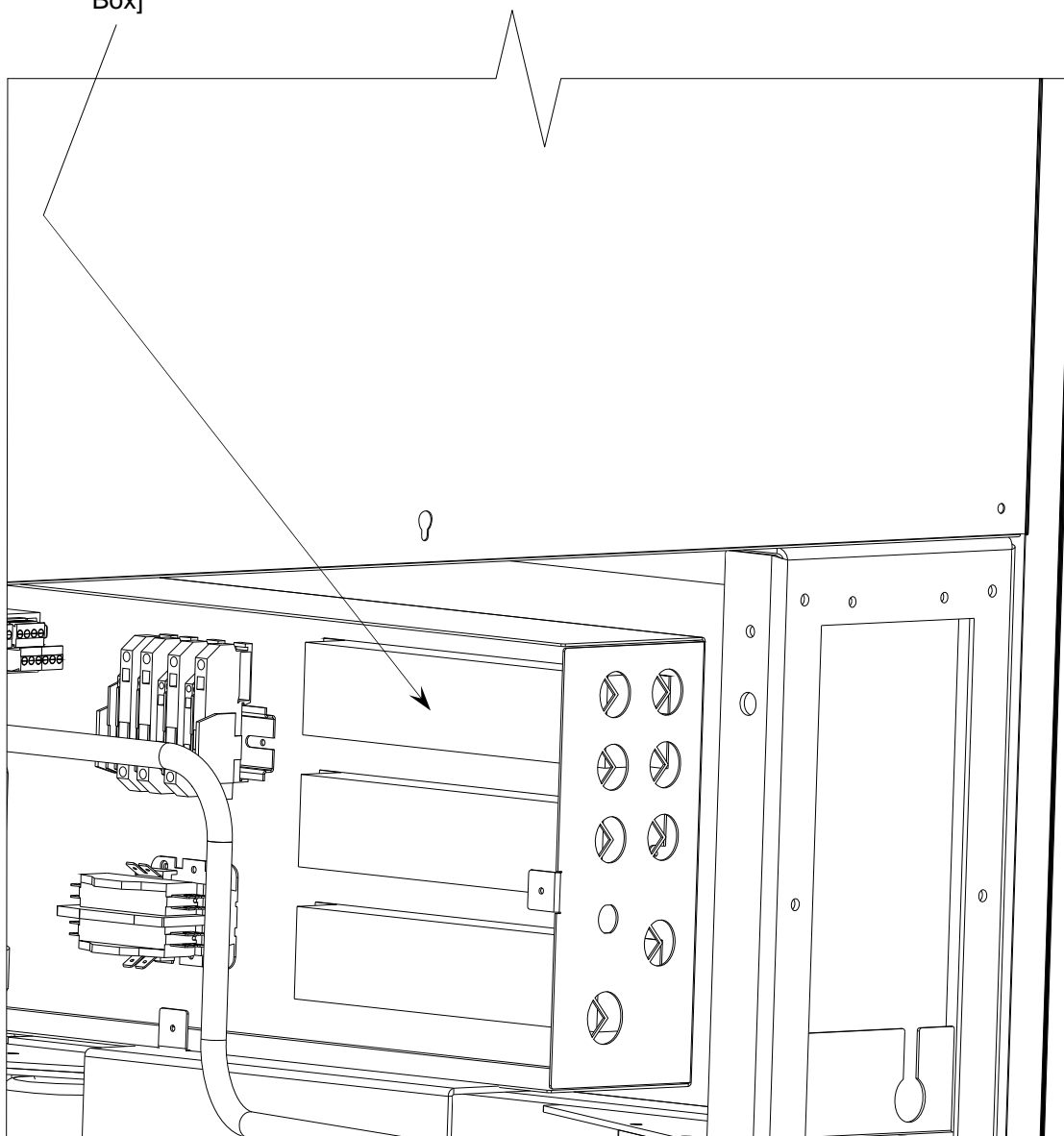
Note:  
Illustrations Shown May  
Not Exactly Reflect Every  
Feature or Option of Your  
Particular Case



### **Ballast Access**

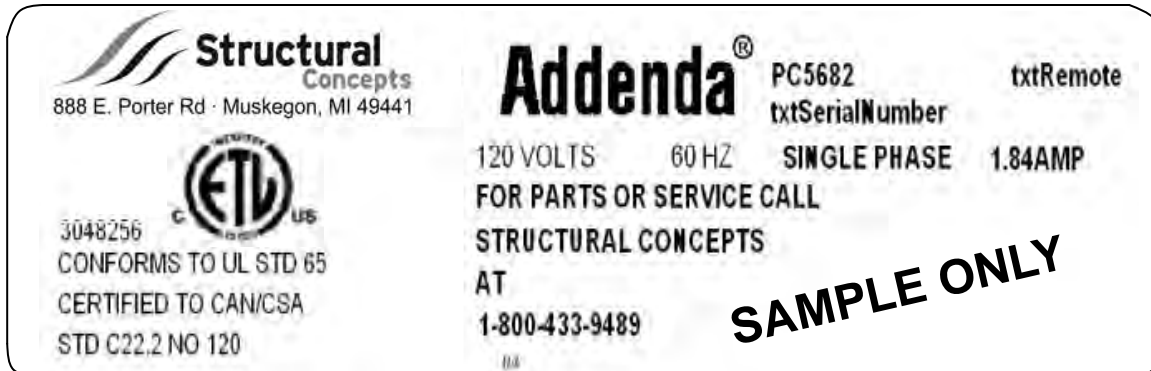
- ***Assembly or disassembly and servicing is to be accomplished by a licensed electrical contractor.***
- Remove either front or rear grille by lifting up and off.
- Ballast are mounted inside the electrical box.
- Illustrations shown may not reflect every feature or option of your particular model.

Ballasts [In Electrical  
Box]



**Serial Label Location & Information Listed / Technical Information & Service**

- Serial labels are located near the electrical access (or light switch) on your case.
- Serial labels contain electrical, temperature and regulatory standards to which the case conforms.
- For additional technical information and service, see the *TECHNICAL SERVICE* page in this manual for instructions on contacting Structural Concepts' Technical Service Department.
- See image below for sample serial label.



----- Sample Serial Label For Non-Refrigerated Case -----

## CLEANING SCHEDULE / TROUBLESHOOTING

### CLEANING SCHEDULE [PERFORMED BY STORE PERSONNEL & TRAINED SERVICE PROVIDERS]

Cleaning	Daily	Weekly	Quarterly	Task
Clean Case Exterior	X			Acrylic must be cleaned with a mild soap and water solution and a soft cloth ( <b>Never use a household cleaner on acrylic</b> ).
Clean Case Interior	X			Shelves and decks can be cleaned with a warm soap and water solution.
		X		Remove decks. Clean with soap and water.
			X	Vacuum tub under deck. Clean with soap and water. Wipe dry with clean cloth.

### TROUBLESHOOTING [TO BE PERFORMED BY STORE PERSONNEL]

CONDITION	TROUBLESHOOTING
<b>Product is Drying Out</b>	Check the relative humidity in the store.
<b>Case Lights Are Not Working</b>	Check that light switch is in the <i>on</i> position.
	Check that ALL of the light cords and plugs are properly connected. See <b>MAINTENANCE FUNDAMENTALS: SHELF ASSEMBLY / SHELVES / LIGHT FIXTURE</b> section in this manual for specifics.
	If case lights still do NOT come on, call service provider.

### TROUBLESHOOTING [TO BE PERFORMED BY TRAINED SERVICE PROVIDERS ONLY]

CONDITION	TROUBLESHOOTING
<b>Case Lights Are Not Working</b>	Check that light switch is in the <i>on</i> position. Light switch is at case front. Remove front panel (no screw removal required) to access.
	Check that <b>ALL</b> of the light cords and plugs are properly connected. See <b>MAINTENANCE - LIGHT FIXTURES (LED LIGHT FIXTURES)</b> section.
	Check voltage at LED drivers. If voltage is entering but not exiting, LED driver may be faulty.
<b>Case Not Lining Up</b>	See Installation Section for instructions on properly aligning case (alongside other cases) and adjusting levelers.

## SCC TECHNICAL SERVICE CONTACT INFORMATION & WARRANTY INFORMATION

**STRUCTURAL CONCEPTS CORPORATION TECHNICAL SERVICE: Call 1.800.433.9490 or For Your Master Service Agent See [WWW.STRUCTURALCONCEPTS.COM/Contact/Master\\_Service\\_Agents.asp](http://WWW.STRUCTURALCONCEPTS.COM/Contact/Master_Service_Agents.asp)**

# LIMITED WARRANTY

All sales by Structural Concepts Corporation (SCC) are subject to the following limited warranty. "Goods" refers to the product or products being sold by SCC.

**Warranty Scope:** Warranty is for equipment sold in the United States, Canada, Mexico and Puerto Rico. Equipment sold elsewhere may carry modified warranty.

**Warranty, Remedies, Limitations:** The limit of liability of SCC toward the exchange cost of the original compressor motor (and/or any other components) is one year parts and labor. If any Goods are found to be of faulty material or workmanship within one year of the original F.O.B. unit shipment, SCC will, at its option (after inspection by an authorized representative), replace or pay the reasonable cost of replacement of the faulty Goods. If warranty claim is not made within this one year time period, SCC is not bound to warrant Goods. A motor-compressor (and/or any other components) replaced during the warranty shall not exceed manufacturer's current established wholesaler's exchange price. If replacement motor-compressor (and/or other components) is available via storage facility, parts truck, etc., SCC mandates that readily accessible replacement components be used toward repair of Goods; in such instances, SCC will replace such equipment (at its own expense) after confirmation of its use/placement on defective unit. SCC shall not be charged an additional fee, up-charge or expense for such replacement Goods. If SCC is unable to repair or replace the defective Goods, SCC shall issue a credit to the Purchaser for full or partial purchase price, as SCC shall determine. The replacement or payment in the manner described above shall be the sole and exclusive remedy to Purchaser for a breach of this warranty. If any Goods are defective or fail to conform to this warranty, SCC will furnish instructions for their disposition. No Goods shall be returned to SCC without its prior consent.

SCC's liability for any defect in the Goods shall not exceed the purchase price of the Goods. SCC SHALL HAVE NO LIABILITY TO PURCHASE FOR CONSEQUENTIAL DAMAGES OF ANY KIND WHATSOEVER, INCLUDING, BUT NOT LIMITED TO, PERSONAL INJURY, PROPERTY DAMAGE, LOST PROFITS, OR OTHER ECONOMIC INJURY DUE TO ANY DEFECT IN THE GOODS OR ANY BREACH OF SCC. SCC SHALL NOT BE LIABLE TO THE PURCHASER IN TORT FOR ANY NEGLIGENT DESIGN OR MANUFACTURE OF THE GOODS, OR FOR THE OMISSION OF ANY WARNING THEREFROM.

SCC shall have no obligation or liability under this warranty for claims arising from any other party's (including Purchaser's) negligence or misuse of the Goods or environmental conditions. This warranty does not apply to any claim or damage arising from or caused by improper storage, handling, installation, maintenance, or from fire, flood, accidents, structural defects, building settlement or movement, acts of God, or other causes beyond SCC's control.

Except as expressly stated herein, SCC makes no warranty, express, implied, statutory or otherwise as to any parts or goods not manufactured by SCC. SCC shall warrant such parts or Goods only (I) against such defects, (II) for such periods of time, and (III) with such remedies, as are expressly warranted by the manufacturer of such parts of Goods. Notwithstanding the foregoing, any warranty with respect to such parts of Goods and any remedies available as a result of a breach thereof shall be subject to all of the procedures, limitations, and exclusions set forth herein.

THE WARRANTIES HEREIN ARE IN LIEU OF ALL WARRANTIES, EXPRESS, IMPLIED, STATUTORY, OR OTHERWISE. IN PARTICULAR, SCC MAKES NO WARRANTY OF MERCHANTABILITY OR FITNESS FOR A PARTICULAR PURPOSE.

No representative, agent or dealer of SCC has authority to modify, expand, or extend this Warranty, to waive any of the limitations or exclusions, or to make any different or additional warranties with respect to Goods.

**Period of Limitations:** No claim, suit or other proceeding may be brought by Purchaser for any breach of the foregoing warranty or this Agreement by SCC or in any way arising out of this Agreement or relating to the Goods after one year from the date of the breach. In the interpretation of this limitation on action for a breach by SCC, it is expressly agreed that there are no warranties of future performance of the goods that would extend that period of limitation herein contained for bringing an action.

**Indemnifications:** Purchaser agrees to indemnify, hold harmless, and defend SCC if so requested, from any and all liabilities, as defined herein, suffered, or incurred by SCC as a result of, or in connection with, any act, omission, or use of the Goods by Purchaser, its employees or customers, or any breach of this Agreement by Purchaser. Liabilities shall include all costs, claims, damages, judgments, and expenses (including reasonable attorney fees and costs).

**Remedies of SCC:** SCC's rights and remedies shall be cumulative and may be exercised from time to time. In a proceeding or action relating to the breach of this Agreement by Purchaser, Purchaser shall reimburse SCC for reasonable costs and attorney's fees incurred by SCC. No waiver by SCC of any breach of Purchaser shall be effective unless in writing nor operate as a waiver of any other breach of the same term thereafter. SCC shall not lose any right because it has not exercised it in the past.

Applicable Law. This Agreement is made in Michigan; it is governed by and interpreted according to Michigan law. Any lawsuit arising out of this Agreement or the Goods may be handled by a federal or state court whose district includes Muskegon County, Michigan, and Purchaser consents that such court shall have personal jurisdiction over Purchaser.

**LED Lighting Components Within Lighting System: Retail:** 5-year LED warranty from date of shipment. **Foodservice:** 2-year LED warranty from date of shipment. After one year, warranty does not include labor or other costs incurred for diagnosing, repairing, removing, installing, shipping, servicing, or handling of either defective part or replacement parts. The remedy of repair or provision of a replacement part without charge shall be the exclusive remedy for any warranty claim. The replacement LED and/or power supply assumes the unused portion of warranty remaining on unit(s). A 90-day warranty will apply for any LED sold as a service part. Warranty claim must include serial and model number of unit as well as date code on defective LED lighting component(s). Manufacturer may request return of defective part(s) at customer's expense to initiate claim.

**Miscellaneous:** If any provision of this Agreement is found to be invalid or unenforceable under any law, the provision shall be ineffective to that extent and for the duration of the illegality, but the remaining provisions shall be unaffected. Purchaser shall not assign any of its rights nor delegate any of its obligations under this Agreement without prior written consent of SCC. This Agreement shall be binding upon and inure to the benefit of SCC and Purchaser and each of their legal representatives, successors and assigns.

SCC warrants its products to be free of defects in materials and workmanship under normal use and service for a period of one (1) year from the date of delivery.

This warranty is extended only to the original purchaser for use of the Goods. It does not cover normal wear parts such as plastic tongs, tong holders, tong cables, bag holders, or acrylic dividers.

**General Conditions:** All service labor and/or parts charges are subject to approval by SCC. Contact the Customer Service Department in writing or call 231-798-8888.

All claims must contain the following information: (1) model & serial code number of equipment; (2) the date and place of installation; (3) the name and address of the agency which performed the installation; (4) the date of the equipment failure; and (5) a complete description of the equipment failure and all circumstances relating to that failure.

Once the claim has been determined to be a true warranty claim by SCC's Customer Service Department, the following procedure will be taken: (1) replacement parts will be sent at no charge from SCC on a freight prepaid basis; (2) reimbursement for service labor will be paid if the following conditions have been met - (a) prior approval of service agency was awarded from the Customer Service Department; and (b) an itemized statement of all labor charges incurred is received by the Customer Service Department. The cost of the service labor reimbursement will be based on straight time rates and reasonable time for the repair of the defect.

If problems occur with any compressor, notify SCC's Customer Service Department immediately. Any attempt to repair or alter the unit without prior consent from the Customer Service Department will render any warranty claim null and void. This warranty and protection plan does not apply to any condensing unit or any part thereof which has been subject to accident, negligence, misuse, or abuse, or which has not been operated in accordance with the manufacturer's recommendations or if the serial number of the unit has been altered, defaced, or removed.

**One Year Limit of Liability:** After SCC's one-year parts and labor warranty on the original F.O.B. unit has expired, SCC is not liable for either the equipment or labor costs of repairing or replacing the motor compressor, nor any other components that were included in the original F.O.B. unit.